

Hand Sanitizer

Original Instructions



1. Description



The automatic contactless hand sanitizer City Clean PRO5, Ganibu Dambis 21b, Riga, Latvia LV1005, for use in accordance with the World Health Organization Hand Hygiene Guidelines. The hand sanitizer complies with the requirements of the EU Electrical Equipment Directive 2014/35/EU. The housing of the sanitizer is made of birch plywood, which comply with EN 311, EN 318, EN 321, EN 322. The CE declaration of conformity is [here](#).

The hand sanitizer is intended for hand disinfection of visitors and employees in the premises of shops, companies, hospitals, polyclinics and other public places, using disinfectant liquids based on 70% ethyl alcohol.

The hand sanitizer consists of a housing with a built-in pump, valves, control system, sensors, nozzle, piping, disinfectant fluid container, return fluid container. A tubular console attached to the top of the housing, under which the palms are placed, an infrared sensor pulses the control system, which actuates the pump, valves and the downward-pointing nozzle built into the console sprays disinfectant onto the palms.

The hand sanitizer shall bear a mark indicating the manufacturer, its address, website address, supply voltage of the station, rated current, year of manufacture, its mass and the CE conformity marking.

2. Security rules

The following safety precautions must be observed when using the sanitizer:

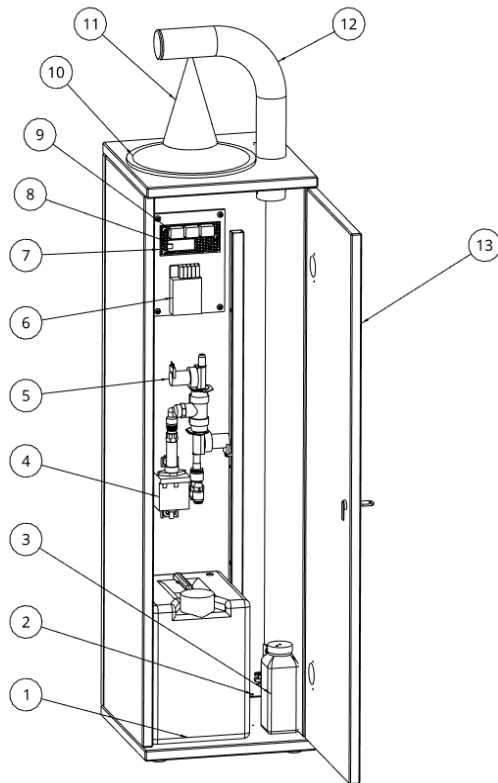
- do not use near sinks, showers, water taps, bathtubs, swimming pools;
- not to be used in rooms where the relative humidity exceeds 80%;
- do not use outdoors;
- avoid the use of electric extension cords as much as possible;
- secure the power cord against damage that may result from boarding or trapping;
- switch off the machine's power switch at the end of the working day.

3. User instructions

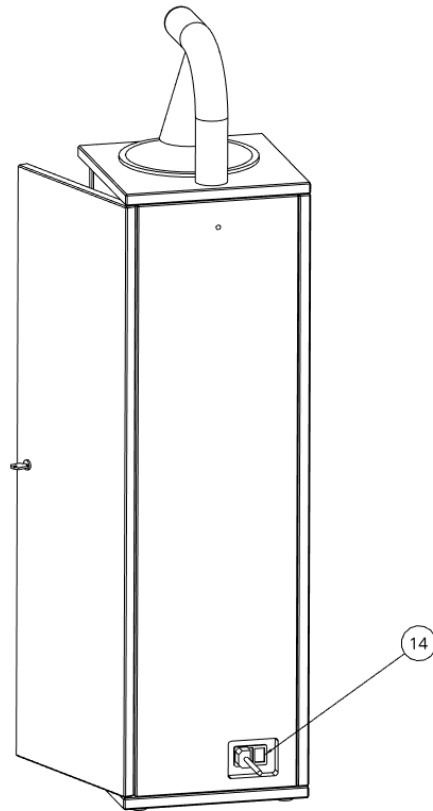
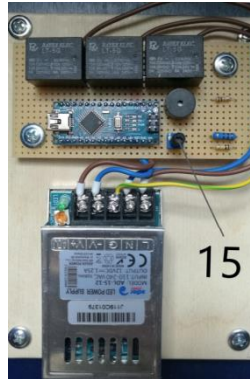
Hand Sanitizer

Original Instructions

3.1. Hand sanitizer construction and technical specification.



Electric plate:



Nr.	Name	Nr.	Name
1	Tank 5 (l)	9	Relay
2	Liquid level sensor	10	Felt pad
3	Bottle for return fluid	11	Beam of sprayed liquid
4	Pump	12	Tube
5	Electric valve	13	Housing
6	Power supply	14	Power switch
7	Electric plate	15	Potentiometer

Hand Sanitizer

Original Instructions

8	Microcontroller		
---	-----------------	--	--

Technical specification

Supply voltage	220 (V) 50 (Hz)
Electrical connection	With grounding
Standby power consumption	4 (W)
Maximum electrical power consumed during operation	30 (W)
Weight when unfilled	22 (kg)
Length x width x height	286 x 286 x 1180(mm)
Disinfectant tank capacity	5 (l)
Equipment body material	MDF

The wiring diagram of the sanitizer is available [here](#).

3.2. Use of hand sanitizer

The hand sanitizer is intended for indoor use, where it is protected from atmospheric precipitation or chemically aggressive environments. Before using the hand sanitizer, place it on a horizontal and level floor. Unlock and open the door on the side of the station. Unscrew the cap of the sanitizer tank and pour in the disinfectant fluid. The longest service life of the disinfection station will be if the disinfection solution contains ethanol, glycerin, 1-propanol. Solutions containing isopropanol are less recommended.



Do not use gel disinfectants to fill the hand sanitizer station! They can cause permanent damage to the sanitizer.

Connect the station to the 220 (V) 50 (Hz) mains and switch on the power switch 14 located on the outside (see section [3.1](#)). After switch-on pump will work for 3 seconds to fill in the system. Place your palms under the console attached to the top of the station. An infrared sensor will be activated to start the electromagnetic pump, and when the system is filled with

Hand Sanitizer

Original Instructions

disinfectant, it will be sprayed on the palms. In order not to disturb future visitors, leave the sanitizer at a safe social distance and grate the disinfectant-moistened palms so that the disinfectant covers the entire surface, paying particular attention to moistening the spaces between the fingers and the outside of the palms. The duration of the entire hand disinfection procedure should be 20-30 seconds.

When the level of disinfectant in the tank drops sharply, an acoustic signal sounds at the time of spraying, warning the operating personnel.

Check the level of disinfectant fluid in the return bottle regularly. If it is full, dispose of its contents according to the disinfectant manufacturer's instructions.

The fluid consumption per treatment can be adjusted from 0.4 to 1.0 ml by changing the pump run time with potentiometer 15 located on the station's electrical board (see board drawing in section [3.1](#)).

3.3. Maintenance and cleaning of hand sanitizer



Before servicing or cleaning the sanitizer, disconnect it from the mains by disconnecting the plug from the mains. If the power supply is interrupted only by switching off the power switch, certain parts of the sanitizer's electrical system are still live.

The hand sanitizer can be cleaned with the following disinfectants:

- Wiping with wipes containing ethanol solution (70%).
- Wipe with a cloth slightly moistened with damp warm water or neutral detergent.



Warning! Never wash the sanitizer with running water or otherwise with large amounts of water. There is a risk of electric shock!

Do not use other chemicals or mixtures to clean the hand sanitizer. Do not use sharp tools or abrasives to clean the hand sanitizer as they may scratch the surface.

Hand Sanitizer

Original Instructions

3.4. Transportation and storage

When transporting the hand sanitizer, it must be packed and protected from precipitation, dust, mechanical damage and shock. The following conditions must be observed when transporting a used hand sanitizer to prevent leakage of disinfectant:

- the return fluid container must be empty;
- the level of disinfectant in the tank must not exceed 1/3 of its volume and its lid must be tightly screwed on;
- the disinfection station must be placed vertically or horizontally on its door surface.

Store the hand sanitizer at a temperature of -25°C ... $+50^{\circ}\text{C}$, not exceeding 80% humidity in the manufacturer's packaging and in conditions where it is protected from dust. If the hand sanitizer is stored or transported at a temperature below 0°C , place it indoors for at least four hours before use.

3.5. Information on scope, protection capabilities and performance.

The hand sanitizer is designed for hand disinfection to destroy unwanted biological agents.

3.6. Information on suitable accessories and spare parts. Spare parts and accessories information.

For the delivery of spare parts and accessories, please contact us SIA "CITY SCREEN".

3.7. The wear time of hand sanitizer.

The wear time of the product depends on the intensity of its use and the frequency of cleaning. The moving parts included in the design of the station are the solenoid pump and the solenoid valves, which can be easily replaced if necessary. The estimated service life of the hand sanitizer is one million operating cycles. The natural wear and tear of the equipment is not covered by the equipment warranty.

Hand Sanitizer

Original Instructions

3.8. Warranty

The warranty on the equipment is valid for 24 months but no more than one million cycles after delivery of the equipment. The natural wear and tear of the equipment is not covered by the equipment warranty.

The warranty is void in cases where:

- improper use of the device is detected as described in this user manual.
- uncoordinated modifications or repairs are detected. In this case, "CITY SCREEN" Ltd is no longer responsible for the further consequences caused by the operation of the equipment.
- if the equipment manufacturer's marking is damaged or torn.

SIA "CITY SCREEN" is not responsible for losses caused by equipment damage and equipment downtime caused by it.